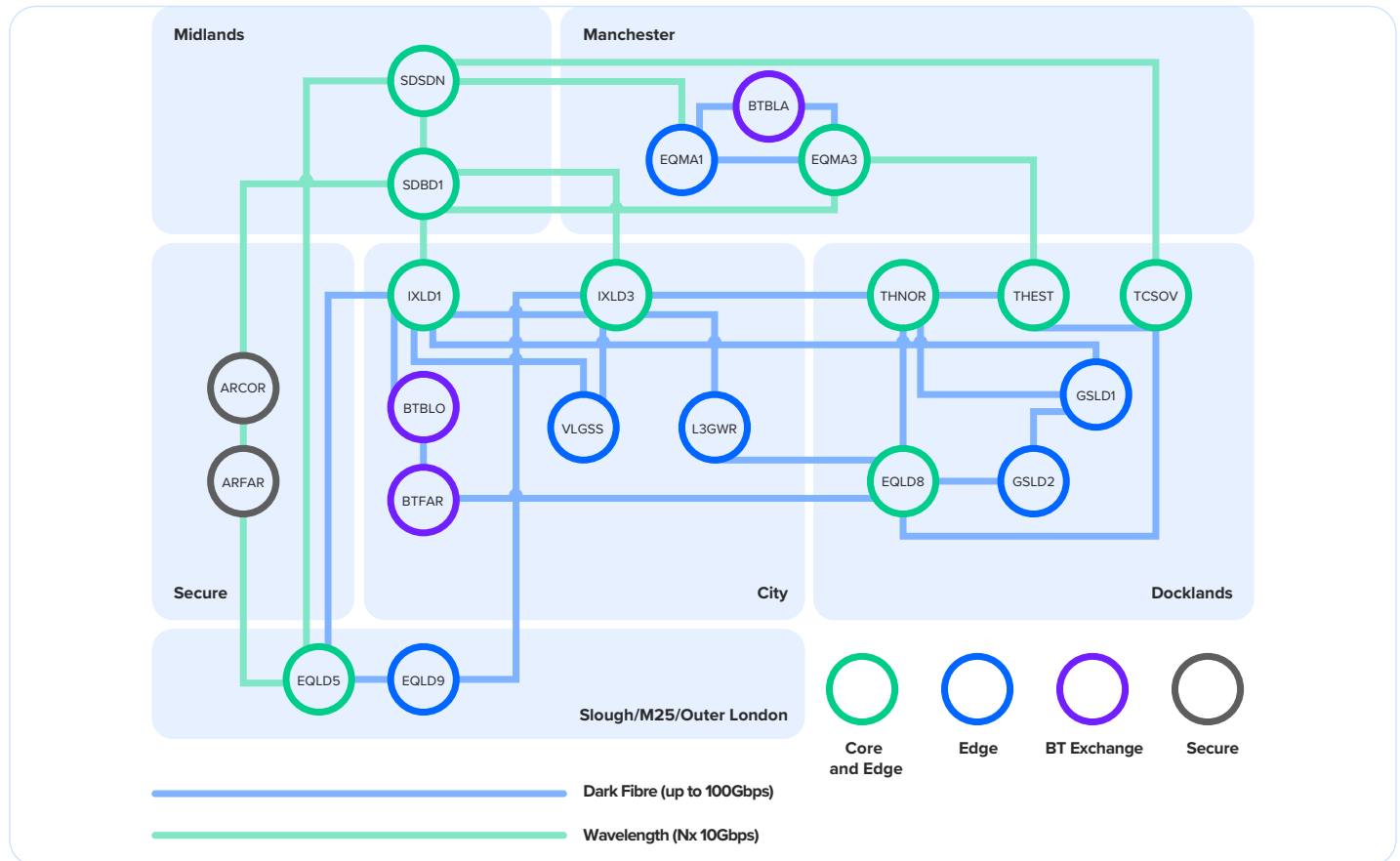


# NEXT GENERATION NETWORK INFORMATION SHEET



## Network Overview:



## PoP List:

### Midlands

- SDDSN Six Degress Studley Data Centre
- SDBD1 Six Degrees Birmingham Data Centre

### Manchester

- EQMA1 Equinix MA1, Kilburn House
- BTBLA BT Blackfriars (Dial House) Exchange, Manchester
- EQMA3 Equinix MA3, Joule House

### Secure

- ACORE ARK Corsham Data Centre
- ARFAR ARK Farnborough Data Centre

### London City

- IXLD1 InterXion Hanbury Street
- IXLD3 InterXion Brick Lane
- BTBLO BT Bloomsbury Exchange
- BTBFAR BT Faraday Building
- VLGSS Volta Great Sutton Street
- L3GWR Colt Goswell Road

### London Docklands

- THNOR Telehouse North
- THEST Telehouse East
- TCSOV Digital Realty Marsh Wall
- EQLD8 Equinix 6-7 Harbour Exchange
- GSLD1 Global Switch North
- GSLD2 Global Switch East

### Outer London

- EQLD5 Equinix Slough
- EQLD9 Equinix Powergate

## Next Generation Core Facts:

**Future proofed core network:** We have invested £4 million into our Next Generation Network to deliver high-quality services in partnership with industry leading vendors.



**Built to industry best practice:** Ensuring the network it is reliable, up-to-date and there when you need it.



**No single point of failure:** The network is designed to manage multiple backbone failures seamlessly without impacting customers, and underpins the stability of our cloud, voice and colocation products.



**Strategic partnership with Juniper:** Our network is 100% powered by Juniper, which has a strong heritage in providing robust, reliable and scalable core networks. We have worked closely with Juniper to validate our design and network configuration.



**Higher capacity:** The core network has ability to scale up to 400Gbps across core links, meaning it can handle more data and traffic. This allows us to offer competitively priced high capacity bandwidth to our customers without delay to meet their growing bandwidth demands.



**Self-healing:** In the event of any disruption, the core network can seamlessly re-route traffic based on capacity.



**On-net peering with providers:** To ensure a great user experience Microsoft on-net peering enables traffic for Office 365, Teams, and Azure to reach its destination with the minimal hops.



**Distributed partner footprint:** The core network allows us to work with multiple last mile providers, enabling us to deliver all our customers' needs regardless of location



**Energy efficient nodes:** The core network consumes less power, while providing faster network connectivity.



JUNIPER  
NETWORKS

TalkTalk  
For Everyone

BT WHOLESALE

Our  
Partners:

its.

PLATFORMX  
Communications



colt



For more information about the Next Generation Network,  
speak to your Account Manager or [contact us](#).